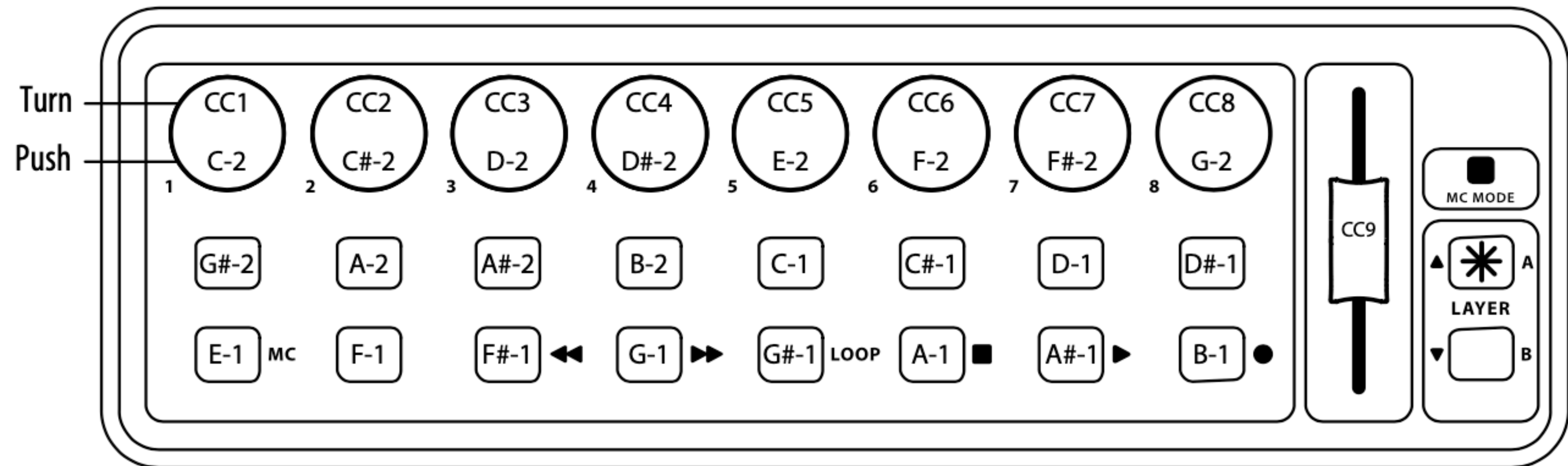


### PRESET A (MIDI Channel =11)



### PRESET B (MIDI Channel =11)

